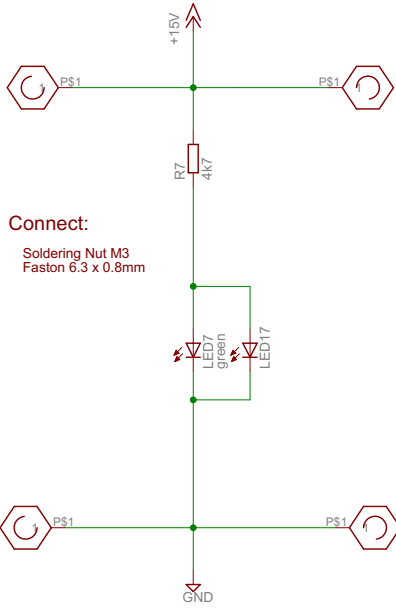


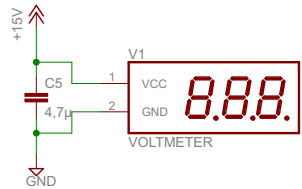
# Power Distribution Board

## Input

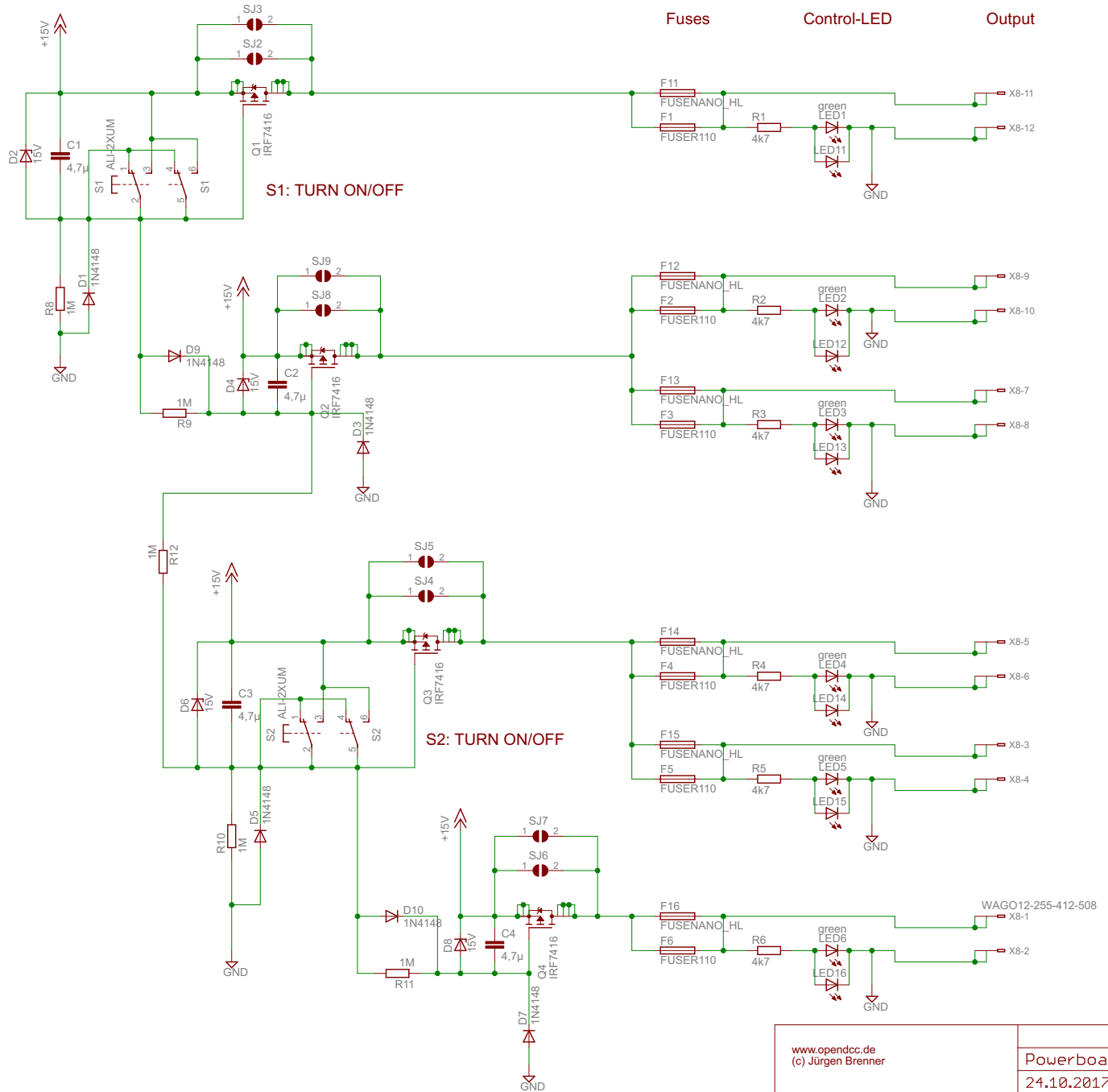


## Connect:

Soldering Nut M3  
Faston 6.3 x 0.8mm



- H1 MOUNT-HOLE3.2
- H2 MOUNT-HOLE3.2
- H3 MOUNT-HOLE3.2
- H4 MOUNT-HOLE3.2



<a href="http://www.opendcc.de">www.opendcc.de</a> (c) Jürgen Brenner	Powerboard_1.2
	24.10.2017 11:27:47
	Sheet: 1/1