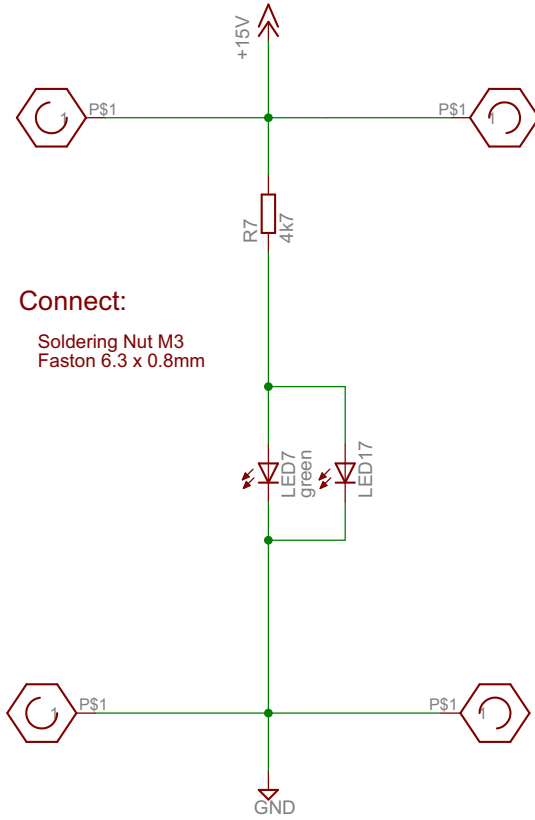


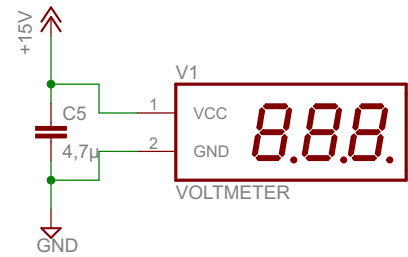
Power Distribution Board

Input

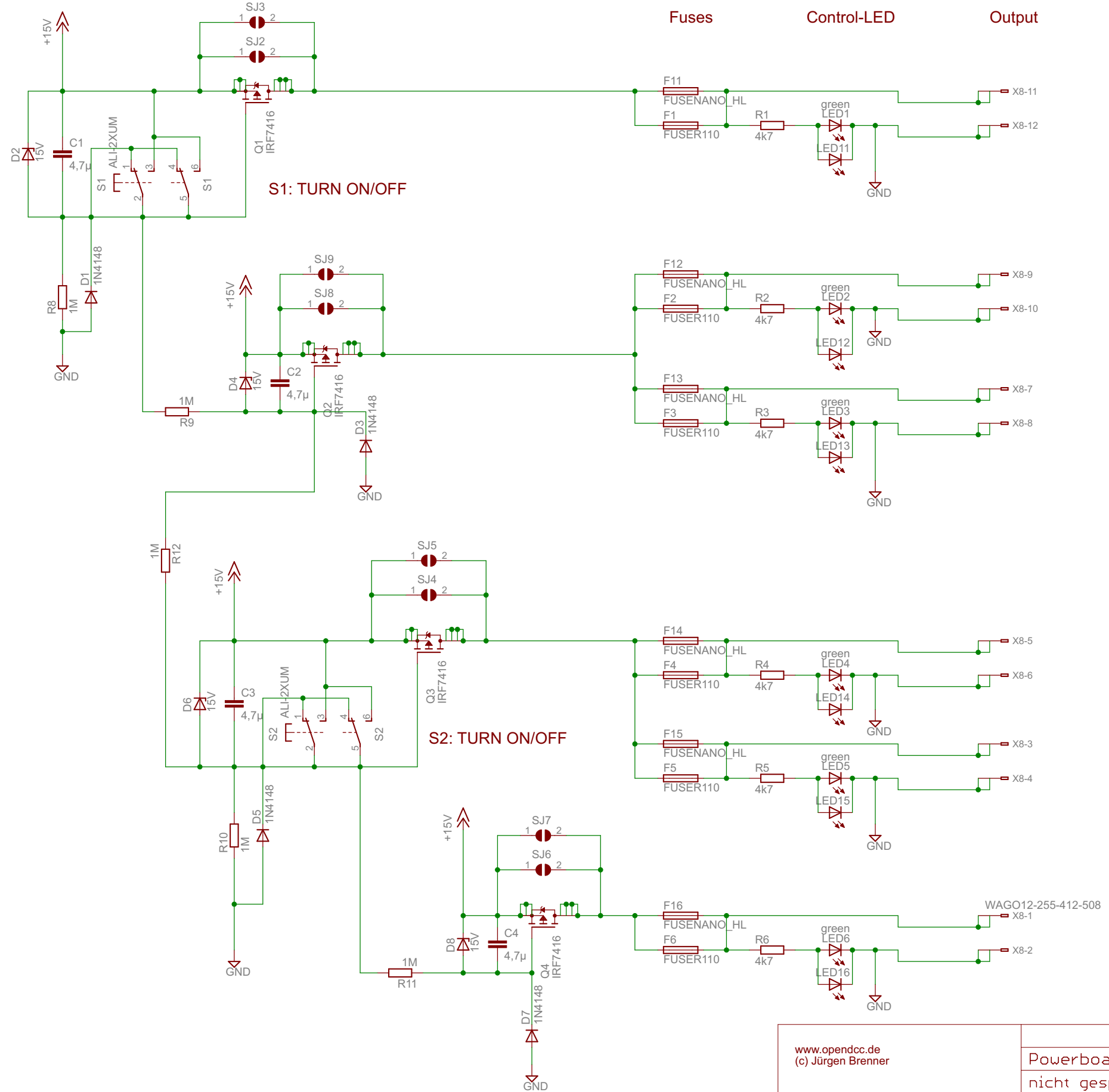


Connect:

Soldering Nut M3
Faston 6.3 x 0.8mm



- H1 MOUNT-HOLE3.2
- H2 MOUNT-HOLE3.2
- H3 MOUNT-HOLE3.2
- H4 MOUNT-HOLE3.2



www.opendcc.de
(c) Jürgen Brenner

Powerboard_1.1
nicht gespeichert!
Sheet: 1/1