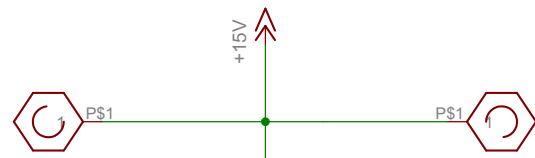


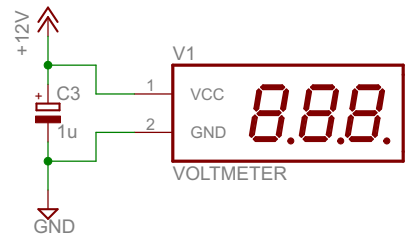
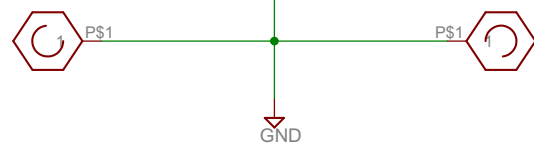
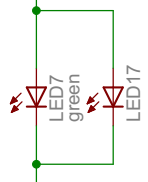
Power Distribution Board

Input

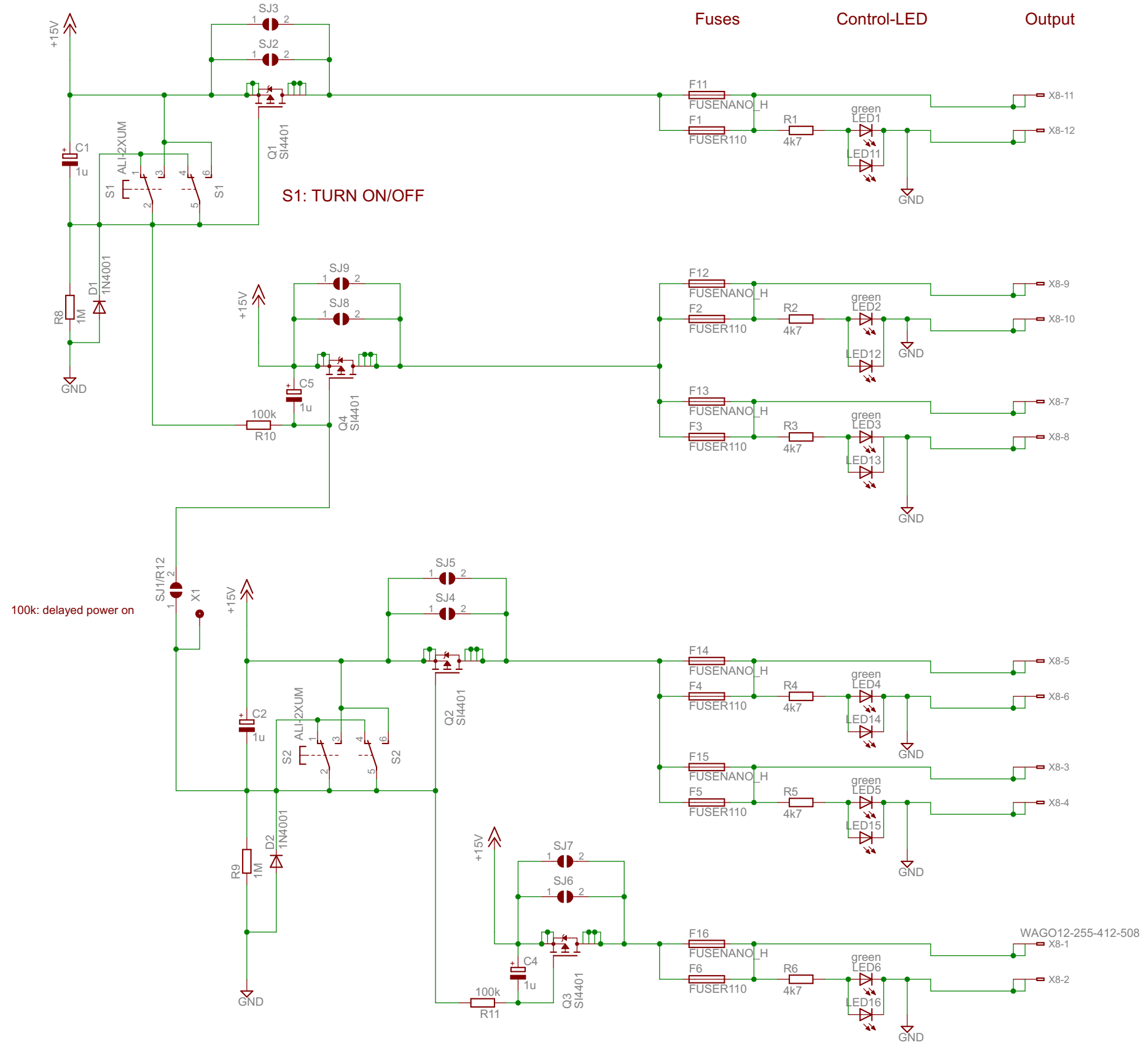


Connect:

Soldering Nut M3
Faston 6.3 x 0.8mm



- H1 MOUNT-HOLE3.0
- H2 MOUNT-HOLE3.0
- H3 MOUNT-HOLE3.0
- H4 MOUNT-HOLE3.0



www.opendcc.de (c) Jürgen Brenner	
Powerboard_1.0	
06.04.2016 17:28:16	
Sheet: 1/1	